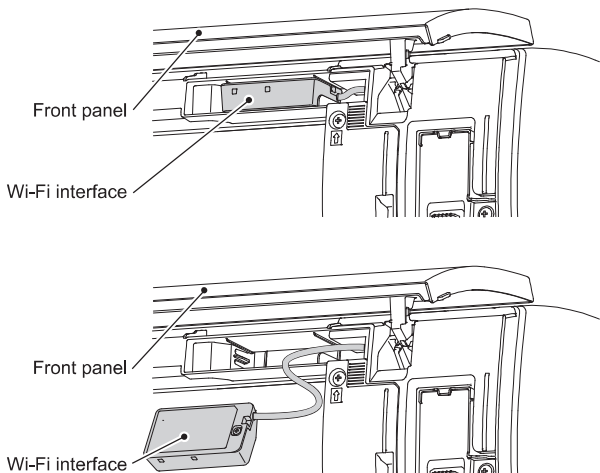


# Wi-Fi INTERFACE SETTING UP (VFK type only)

This Wi-Fi interface, communicates the status information and controls the commands from the MELCloud by connecting to the indoor unit.



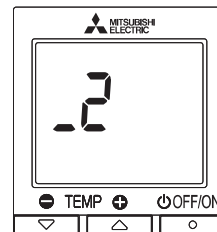
In addition, check the following.

- Make sure that the communication distance is not too far between the Wi-Fi interface and the Router.
- Make sure that the Router uses WPA2-AES encryption.
- Make sure that the number of connected devices to the Router does not exceed the limit.
- Set up the Wi-Fi interface after operating the air conditioner using the wireless remote controller at least once.

If the connection fails even after checking the above, set up the Wi-Fi interface and the router again by the following method.

### To reset connection and set up the Wi-Fi interface and the router again

- Hold down the Temperature  $\ominus$  for 5 seconds.
- Select “\_ 2” by pressing Temperature  $\oplus$  and  $\ominus$ .
- Point the remote controller toward the indoor unit and press the OFF/ON  $\circ$ .
- The indoor unit beeps 3 times when resetting is complete.



EN

## Setting Up

- Download the MELCloud application. Please go to the website below. <https://www.melcloud.com/?qr=1>

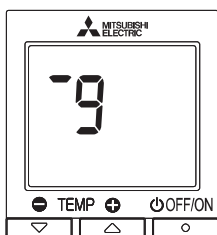


## When It Doesn't Connect Well

### Troubleshooting mode

- Hold down the Temperature  $\oplus$  for 5 seconds.
- Select “\_ 9” by pressing Temperature  $\oplus$  and  $\ominus$  as shown on the right.
- Point the remote controller toward the indoor unit and press the OFF/ON  $\circ$ .

### Troubleshooting mode



In the troubleshooting mode, you can check what kind of error is occurring by the blinking pattern of the indoor unit operation indicator lamp as follows.

Indication	Description	Check point
 10 times	 Wi-Fi interface	Check the connection between unit and Wi-Fi interface.
 5 times	 Wi-Fi interface	Make sure that DHCP is enabled, or check IP address settings of the Wi-Fi interface.
 7 times	 Wi-Fi interface	Check if the Router is connected to the internet, or check DNS setting the Router and Wi-Fi interface.

[About trademarks]

- “Wi-Fi”, “Wi-Fi Protected Setup™”, “WPA2™” are trademarks or registered trademarks of the Wi-Fi Alliance.
- The Wi-Fi Interface uses Open Source Software.
- The Bluetooth® word mark is registered trademarks owned by Bluetooth SIG, Inc.

### Note:

- Ensure that the Router supports the WPA2-AES encryption setting and 2.4GHz before commencement of this Wi-Fi interface.
- The end user should read and accept the terms and conditions of the Wi-Fi service before using this Wi-Fi interface.
- To complete connection of this Wi-Fi interface to the Wi-Fi service, the Router may be required.
- This Wi-Fi interface will not commence transmission of any operational data from the system until the end user registers and accepts the terms and conditions of the Wi-Fi service.
- Do not place the Wi-Fi interface where it can be easily accessed by third parties.
- This Wi-Fi interface should not be installed and connected to any Mitsubishi Electric system which is to provide application critical cooling or heating.
- Please write down the information regarding the Wi-Fi interface setting on the last page of this manual, when you set up this Wi-Fi interface.
- At the time of relocation or disposal, reset the Wi-Fi interface to the factory default.
- To fully connect this Wi-Fi interface to the Wi-Fi service, you may need a router and a smartphone compatible with Bluetooth® Low Energy 4.2 or later.

Mitsubishi Electric's Wi-Fi interface is designed for communication to Mitsubishi Electric's MELCloud Wi-Fi service. Mitsubishi Electric is not responsible for any (i) underperformance of a system or any product; (ii) system or product fault; or (iii) loss or damage to any system or product; which is caused by or arises from connection to and/or use of any third party Wi-Fi interface or any third party Wi-Fi service with Mitsubishi Electric equipment.

**For the latest information regarding MELCloud from Mitsubishi Electric Corporation, please visit [www.melcloud.com](http://www.melcloud.com).**