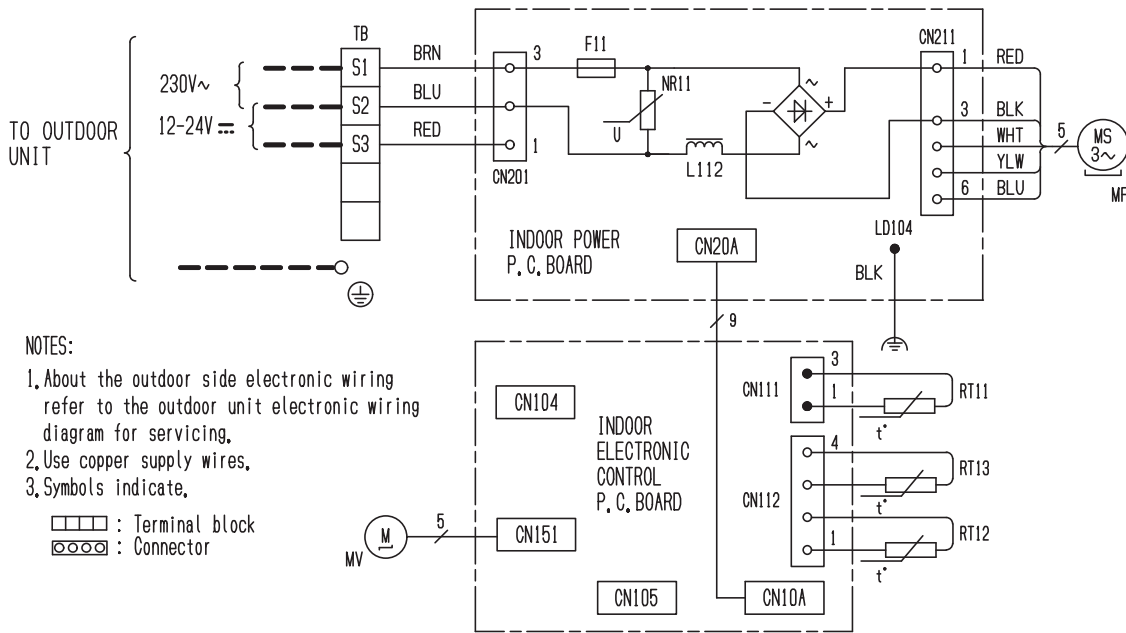


MSZ-HR60VF MSZ-HR71VF

INDOOR UNIT



SYMBOL	NAME
F11	FUSE (T3, 15AL250V)
L112	REACTOR
MF	FAN MOTOR
MV	VANE MOTOR (HORIZONTAL)
NR11	VARISTOR
RT11	ROOM TEMP. THERMISTOR
RT12	COIL TEMP. THERMISTOR (MAIN)
RT13	COIL TEMP. THERMISTOR (SUB)
TB	TERMINAL BLOCK

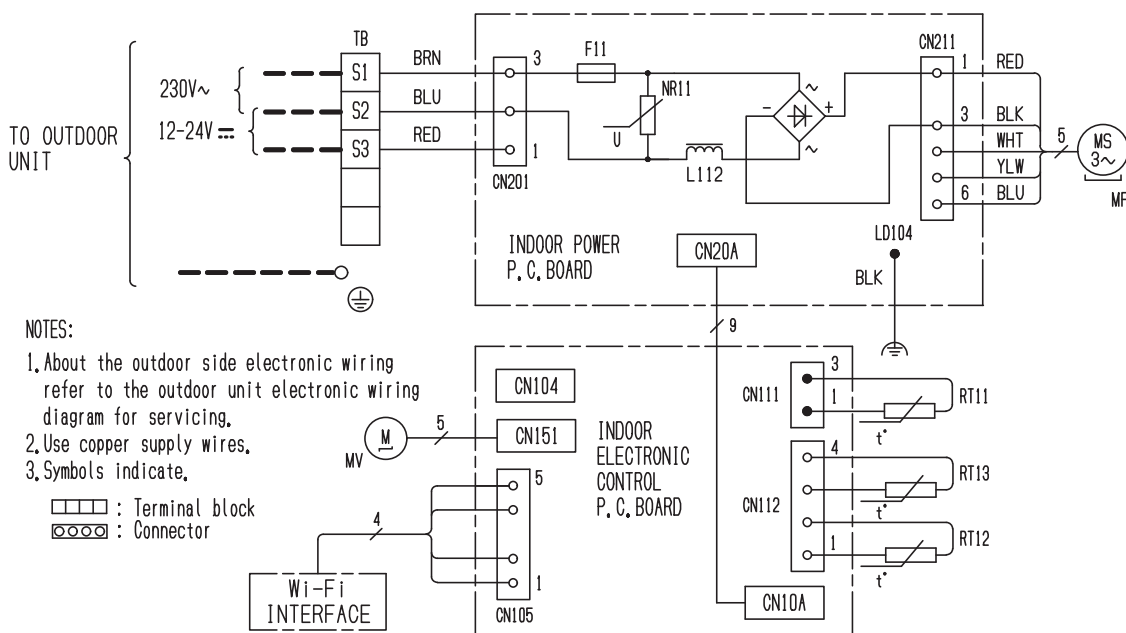
NOTES:

- About the outdoor side electronic wiring refer to the outdoor unit electronic wiring diagram for servicing.
- Use copper supply wires.
- Symbols indicate.

□ : Terminal block  
 ○ : Connector

MSZ-HR60VFK MSZ-HR71VFK

INDOOR UNIT



SYMBOL	NAME
F11	FUSE (T3, 15AL250V)
L112	REACTOR
MF	FAN MOTOR
MV	VANE MOTOR (HORIZONTAL)
NR11	VARISTOR
RT11	ROOM TEMP. THERMISTOR
RT12	COIL TEMP. THERMISTOR (MAIN)
RT13	COIL TEMP. THERMISTOR (SUB)
TB	TERMINAL BLOCK

NOTES:

- About the outdoor side electronic wiring refer to the outdoor unit electronic wiring diagram for servicing.
- Use copper supply wires.
- Symbols indicate.

□ : Terminal block  
 ○ : Connector